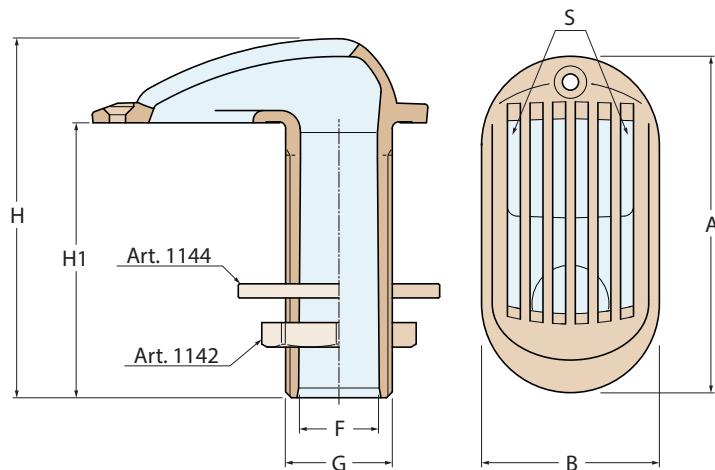


prese e scarichi a mare water intakes and thru-hulls

1120

Presca a mare fresata
Grated water intake



FILETTATURE / THREAD :
G = ISO 228/1 (BS 2779)

1120	■	■	■	■	■	■	■
Weight (gr)	218	305	426	635	917	1177	1706
S (cm ²)	6,2	7	10,6	15	21	25,5	37
H	95	103	104	111	118	129	142
H1	75	80	80	85	90	100	110
F	11,5	15	19	25	33	38,5	49,5
A	74	81	93	104	118	130	154
B	37	40	47	55	64	71	84
G	3/8"	1/2"	3/4"	1"	1"1/4	1"1/2	2"

Ottone sabbiato ■
Yellow brass